

30 years of MLP-Prozeßleittechnik GmbH Berlin

7500 completed projects

certified according to - ISO 9001: 2015

- KTA 1401 (nuclear regulations)

- IAEA 50-C-Q

Product and service overview

All services are customer-specific solutions



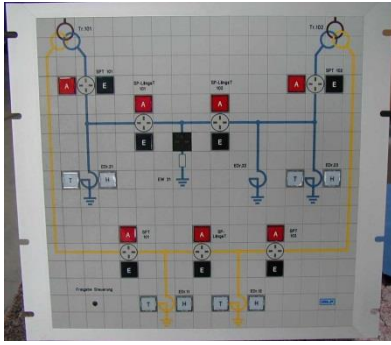
1. Complete control rooms
 - all construction and planning services
 - individual control room furniture
 - monitors, LED walls
 - assembly services worldwide
 - new construction and dismantling
 - also in nuclear plants



2. Switching, operating and display panels in
 - mosaic technique
 - Aluminum panel technology (Engraving or anodized vacuum)
 - Foil technology (MLP graphic panel / high resolution)
 - Special productions

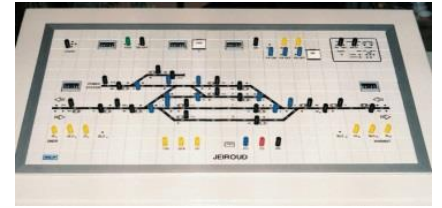


3. Mosaic technology system Subklew and AEG

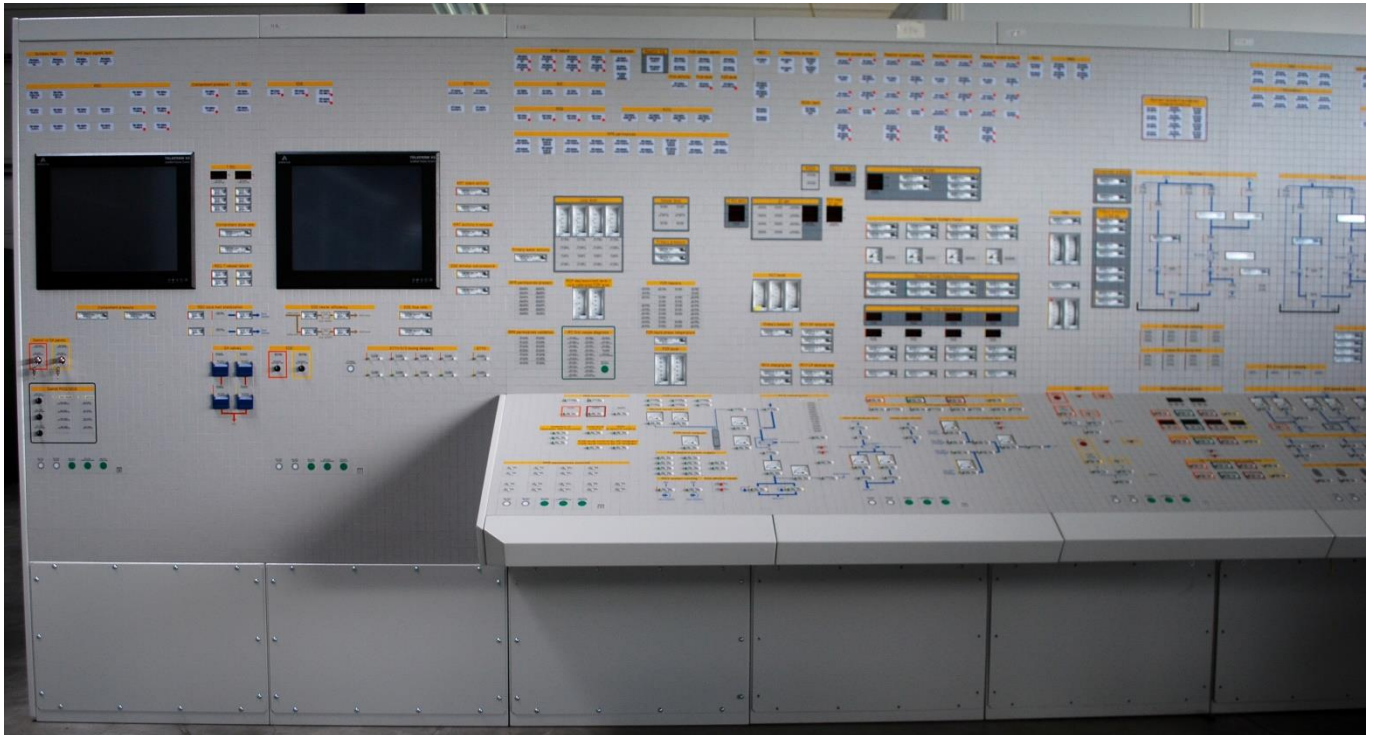


4. Control cabinet construction according to customer documents

5. Track layout tables for the railway
 - design WSSB
 - design MLP



6. Sales of system-free accessories for the electrical industry



Areas of application for our products:

Sewage treatment plants / Waterworks / Waste incineration / Power plants /

Network control centers / Substations

Traction power supply / On-site controls / Industrial controls / Chemical plants /

Food industry / Pumping stations / Railway signal boxes / Traffic management systems /

Tunnel monitoring / Building automation / Fire protection systems / and many more